

# OWNER'S MANUAL

## ***TT8 Treadmill***

Please carefully read this entire manual  
before operating your new treadmill.

**SOLE**<sup>™</sup>  
FITNESS

Before returning your Sole product to any retailer, or if you require any assistance with assembly or technical support please call us first for assistance at 866-697-6531. Thank you for your Sole purchase.

# TABLE OF CONTENTS

Product Registration	1
Important Safety Instructions	2
Important Electrical Information	3
Important Operation Instructions	4
Assembly instructions	7
Transport Instructions	11
Operation of Your New Treadmill	12
Programmable Features	16
Using Heart Rate Transmitter	23
General Maintenance	25
Service Checklist - Diagnosis Guide	27
Manufacturer's Limited Warranty	29

**Before returning your Sole product to any retailer, or if you require any assistance with assembly or technical support please call us first for assistance at 866-697-6531. Thank you for your Sole purchase.**



## FITNESS

### **CONGRATULATIONS ON YOUR NEW TREADMILL AND WELCOME TO THE SOLE FAMILY!**

Thank you for your purchase of this quality treadmill from **SOLE**. Your new treadmill has been manufactured by one of the leading fitness manufacturers in the world and is backed by one of the most comprehensive warranties available. **SOLE** will do all we can to make your ownership experience as pleasant as possible for many years to come.

If you have any questions about your new product or questions about the warranty contact **SOLE** Fitness at **1-866-780-SOLE (7653)**. If you have a technical problem with your new treadmill contact **SOLE** technical service at **866-MYSOLE1 (1-866-697-6531)**.

Please take a moment at this time to record below the name of the dealer, their telephone number, and the date of purchase for easy contact in the future. We appreciate your confidence in **SOLE** and we will always remember that you are the reason that we are in business. Please complete and mail your registration card today and enjoy your new treadmill.

Yours in Health,  
**SOLE** Fitness

Name of Dealer \_\_\_\_\_

Telephone Number of Dealer \_\_\_\_\_

Purchase Date \_\_\_\_\_

## PRODUCT REGISTRATION

### **RECORD YOUR SERIAL NUMBER**

Please record the Serial Number of this fitness product in the space provided below.

**Serial Number** \_\_\_\_\_



### **REGISTER YOUR PURCHASE**

The self-addressed product registration card must be completed in full and returned to **SOLE**. You can also go to [www.soletreadmills.com](http://www.soletreadmills.com) under the support tab to register online.

TT8\_20130523

# IMPORTANT SAFETY INSTRUCTIONS

**WARNING** - Read all instructions before using this appliance.

**DANGER** - To reduce the risk of electric shock disconnect your SOLE treadmill from the electrical outlet prior to cleaning and/or service work.

**WARNING** - To reduce the risk of burns, fire, electric shock, or injury to persons, install the treadmill on a flat level surface with access to a 110-volt, 15-amp grounded outlet with only the treadmill plugged into the circuit.

**DO NOT USE AN EXTENSION CORD UNLESS IT IS A 14AWG OR BETTER, WITH ONLY ONE OUTLET ON THE END: DO NOT ATTEMPT TO DISABLE THE GROUNDED PLUG BY USING IMPROPER ADAPTERS, OR IN ANY WAY MODIFY THE CORD SET.**

A serious shock or fire hazard may result along with computer malfunctions. See Grounding Instructions, page 3.

- Do not operate treadmill on deeply padded, plush or shag carpet. Damage to both carpet and treadmill may result.
- Do not block the rear of the treadmill. Provide a minimum of 3 1/2 feet clearance between the rear of the treadmill and any fixed object.
- Keep children away from the treadmill. There are obvious pinch points and other caution areas that can cause harm.
- Keep hands away from all moving parts.
- Never operate the treadmill if it has a damaged cord or plug. If the treadmill is not working properly, call your dealer.
- Keep the cord away from heated surfaces.
- Do not operate where aerosol spray products are being used or where oxygen is being administered. Sparks from the motor may ignite a highly gaseous environment.
- Never drop or insert any object into any openings.
- Do not use outdoors.
- To disconnect, turn all controls to the off position, remove tether cord, then remove the plug from the outlet.
- Do not attempt to use your treadmill for any purpose other than for the purpose it is intended.
- The pulse sensors are not medical devices. Various factors, including the user's movement, may affect the accuracy of heart rate readings. The pulse sensors are intended only as exercise aids in determining heart rate trends in general.
- Use handrails provided; they are for your safety.
- The pulse sensors are not intended to support the user's weight. For support when using the treadmill and during dismounting use the side handrails.
- Wear proper shoes. High heels, dress shoes, sandals or bare feet are not suitable for use on your treadmill. Quality athletic shoes are recommended to avoid leg fatigue.

**SAVE THESE INSTRUCTIONS - THINK SAFETY!**

# IMPORTANT ELECTRICAL INSTRUCTIONS

## **WARNING!**

**NEVER** use a ground fault circuit interrupt (GFCI) wall outlet with this treadmill. As with any appliance with a large motor, the GFCI will trip often. Route the power cord away from any moving part of the treadmill including the elevation mechanism and transport wheels.

**NEVER** remove any cover without first disconnecting AC power.

If voltage varies by ten percent (10%) or more, the performance of your treadmill may be affected. Such conditions are not covered under your warranty. If you suspect the voltage is low, contact your local power company or a licensed electrician for proper testing.

**NEVER** expose this treadmill to rain or moisture. This product is NOT designed for use outdoors, near a pool or spa, or in any other high humidity environment. The maximum operating temperature specification is 40 degrees c, and humidity is 95% non-condensing (no water drops forming on surfaces).

**Circuit Breakers:** Some circuit breakers used in exercise facilities or homes are not rated for high inrush currents that can occur when a treadmill is first turned on or even during use. If your treadmill is tripping the facility or home circuit breaker (even though it is the proper current rating) but the circuit breaker on the treadmill itself does not trip, you will need to replace the facility or home breaker with a high inrush type. This is not a warranty defect. This is a condition we as a manufacture have no ability to control. This part is available through most electrical supply stores. Examples: Grainger part # 1D237, or available online at [www.squared.com](http://www.squared.com) part # QO120HM.

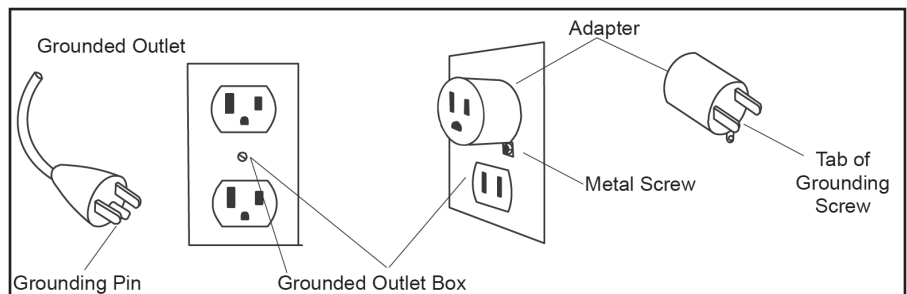
## GROUNDING INSTRUCTIONS

**This product must be grounded.** If the treadmill should malfunction or breakdown, grounding provides a path of least resistance for electric current, reducing the risk of electric shock. This product is equipped with a cord having an equipment-grounding plug. The plug must be plugged into an appropriate outlet that is properly installed and grounded in accordance with all local codes and ordinances.

**DANGER - Improper connection of the equipment-grounding conductor can result in a risk of electric shock. Check with a qualified electrician or serviceman if you are in doubt as to whether the product is properly grounded. Do not modify the plug provided with the product if it will not fit the outlet; have a proper outlet installed by a qualified electrician.**

This product is for use on a nominal 110-volt circuit, and has a grounding plug that looks like the plug illustrated below. A temporary adapter that looks like the adapter illustrated below may be used to connect this plug to a 2-pole receptacle as shown below if a properly grounded outlet is not available. The temporary adapter should be used only until a properly grounded outlet, (shown below) can be installed by a qualified electrician. The green colored rigid ear-

lug, or the like, extending from the adapter, must be connected to a permanent ground such as a properly grounded outlet box cover. Whenever the adapter is used, it must be held in place by a metal screw.



# IMPORTANT OPERATION INSTRUCTIONS

- **NEVER** operate this treadmill without reading and completely understanding the results of any operational change you request from the computer.
- Understand that changes in speed and incline do not occur immediately. Set your desired speed on the computer console and release the adjustment key. The computer will obey the command gradually.
- **NEVER** use your treadmill during an electrical storm. Surges may occur in your household power supply that could damage treadmill components. Unplug the treadmill during an electrical storm as a precaution.
- Use caution while participating in other activities while walking on your treadmill; such as watching television, reading, etc. These distractions may cause you to lose balance or stray from walking in the center of the belt; which may result in serious injury.
- **NEVER** mount or dismount the treadmill while the belt is moving. **SOLE** treadmills start at a very low speed and it is unnecessary to straddle the belt during start up. Simply standing on the belt during slow acceleration is proper after you have learned to operate the unit.
- Always hold on to a handrail or hand bar while making control changes (incline, speed, etc.).
- Do not use excessive pressure on console control keys. They are precision set to function properly with little finger pressure. Pushing harder is not going to make the unit go faster or slower. If you feel the buttons are not functioning properly with normal pressure contact your **SOLE** dealer.

## SAFETY TETHER CORD


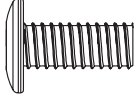
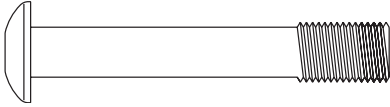
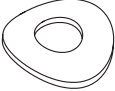
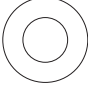
A safety tether cord is provided with this unit. (See *Step 6 of Assembly Guide, #63*) It is a simple magnetic design that should be used at all times. It is for your safety should you fall or move too far back on the tread-belt. Pulling this safety tether cord will stop tread-belt movement.

### To Use:


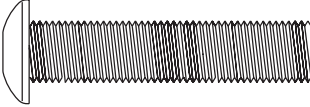
1. Place the magnet into position on the red portion of the console control head. Your treadmill will not start and operate without this. Removing the magnet also secures the treadmill from unauthorized use.
2. Fasten the plastic clip onto your clothing securely to assure good holding power. **Note: The magnet has strong enough power to minimize accidental, unexpected stopping.** The clip should be attached securely to make certain it does not come off. Be familiar with its function and limitations. The treadmill will stop, depending on speed, with a one to two step coast anytime the magnet is pulled off the console. Use the red Stop / Pause switch in normal operation.

# TT8 ASSEMBLY PACK CHECKLIST

## 3 HARDWARE STEP 3

 <b>#85.</b> 3/8" x 2T Split Washer (6 pcs)	 <b>#99.</b> 5/16" x 3/4" Flat Head Socket Bolt (4 pcs)	 <b>#100.</b> 3/8" x 2-1/4" Button Head Socket Bolt (6 pcs)
 <b>#131.</b> Ø8mm x Ø23mm x 1.5T Curved Washer (4 pcs)	 <b>#102.</b> Ø10mm x Ø19mm x 1.5T Flat Washer (6 pcs)	

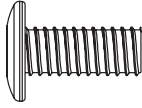
## 5 HARDWARE STEP 5

 <b>#85.</b> 3/8" x 2T Split Washer (4 pcs)	 <b>#125.</b> 3/8" x 1-3/4" Button Head Socket Bolt (4 pcs)
--------------------------------------------------------------------------------------------------------------------------------------	-------------------------------------------------------------------------------------------------------------------------------------------------------

## 6 HARDWARE STEP 6

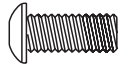
 <b>#90.</b> 3.5mm x 16mm Sheet Metal Screw (6 pcs)
----------------------------------------------------------------------------------------------------------------------------------------------

# 7 HARDWARE STEP 7



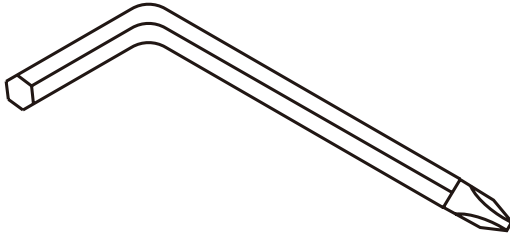
**#99.** 5/16" x 3/4"  
Flat Head Socket Bolt (4 pcs)

# 8 HARDWARE STEP 8

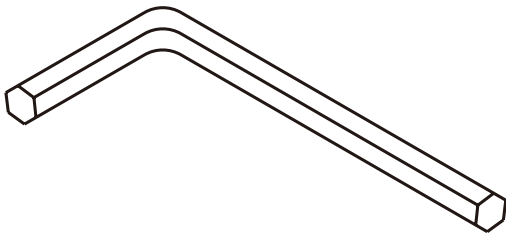


**#126.** M5 x 10mm  
Phillips Head Screw (4 pcs)

## ASSEMBLY TOOLS



**#104.** Combination M5 Allen Wrench  
& Phillips Head Screw Driver

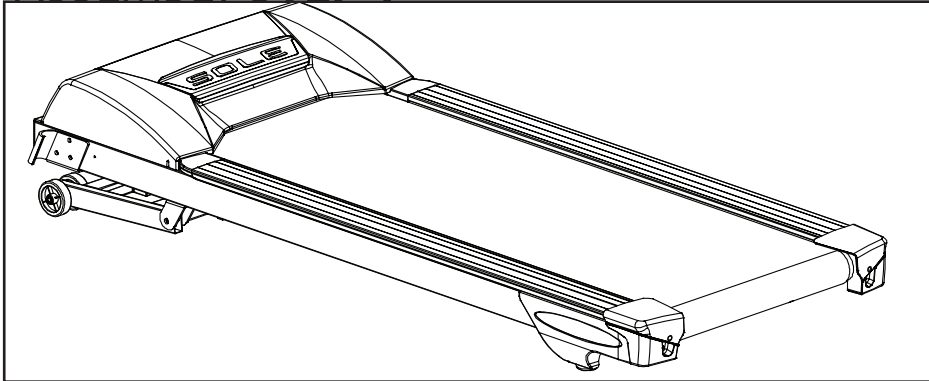


**#105.** M6 L Allen Wrench



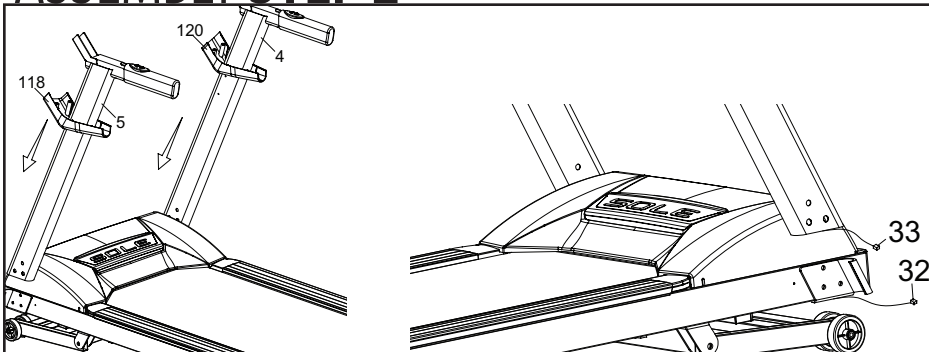
# TT8 ASSEMBLY INSTRUCTIONS

## 1 ASSEMBLY STEP 1



1. Remove the treadmill base frame from the carton and lay it aside on firm, level ground.

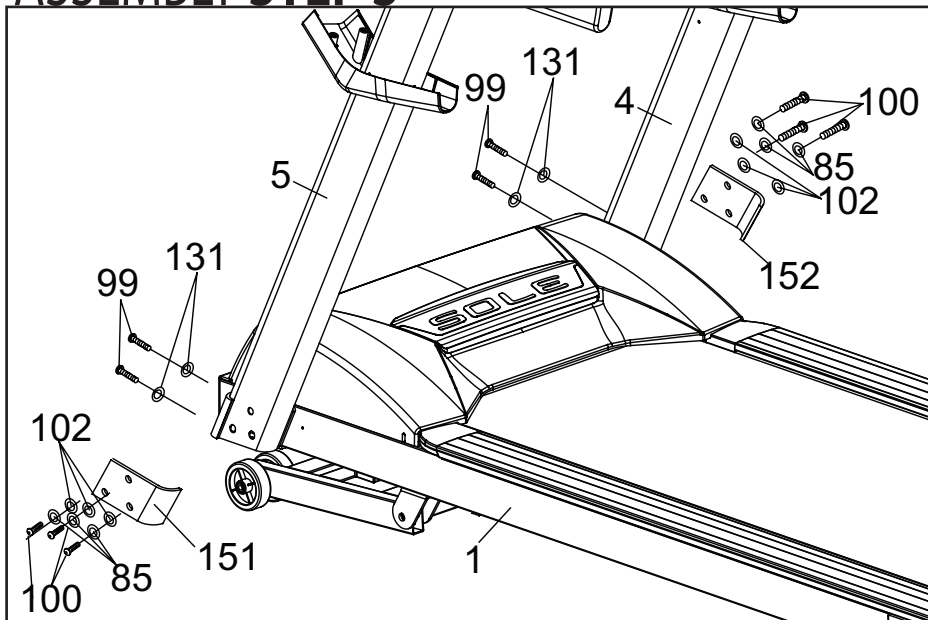
## 2 ASSEMBLY STEP 2



1. Locate the left and right Console Mast Tubes (5 & 4). Slide the Handrail Bottom Cover (118) onto the left and right (120) tubes as shown in the illustration.
2. Connect the Computer Cable (32) of the Main Frame with the Computer Cable (33) at the bottom of the right Console Mast Tube (4).

**Before attaching the hardware to Step 3, make sure the cables you just connected don't get pinched in between the steel tubing. If they do, this may cause issues that prevent the treadmill from operating properly.**

# 3 ASSEMBLY STEP 3

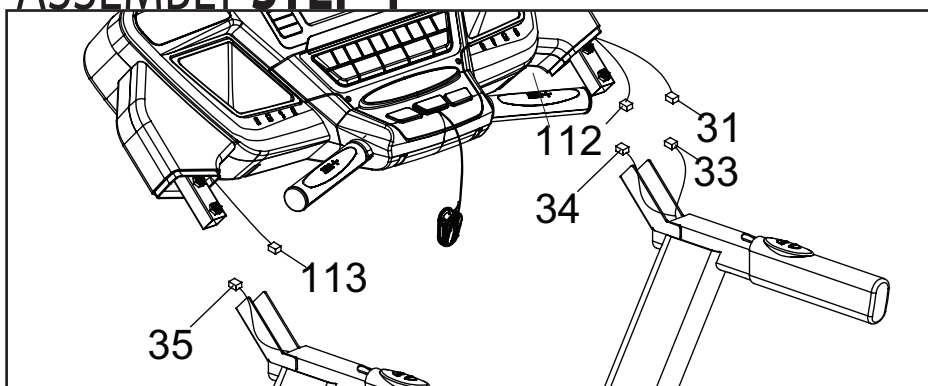


## HARDWARE STEP 3

- #85. 3/8" x 2T Split Washer (6 pcs)
- #99. 5/16" x 3/4" Flat Head Socket Bolt (4 pcs)
- #100. 3/8" x 2-1/4" Button Head Socket Bolt (6 pcs)
- #102. Ø10mm x Ø19mm x 1.5T Flat Washer (6 pcs)
- #131. Ø8mm x Ø23mm x 1.5T Curved Washer (4 pcs)

1. Attach the left and right Upright Tubes (5 & 4) to the Main Frame (1). Be careful installing the right upright so that the wire harness doesn't get pinched or cut. **Only hand-tighten all the bolts in this step. The bolts will need to be completely tightened after the console is installed.** Insert three Split Washers (85), three Flat Washers (102), and three Button Head Socket Bolts (100) through the brackets (151 & 152) and Console Mast Tubes (5 & 4) and into the frame. Partially tighten with the M6 L Allen Wrench (105). Attach two Curved Washers (131) and two Flat Head Socket Bolts (99) to the front of each Console Mast Tube. Partially tighten with the M5 Combination Allen Wrench & Phillips Head Screw Driver (104).

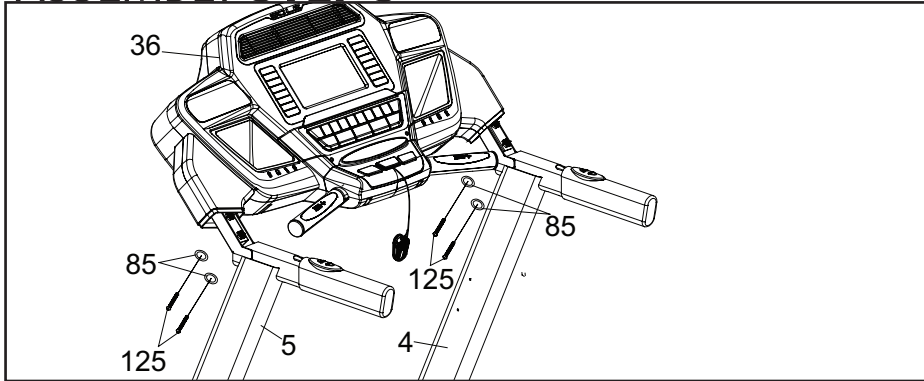
# 4 ASSEMBLY STEP 4



1. Connect the lower Computer Cable (33) to the upper Computer Cable (31), the Remote Speed Cable (34) to the upper Speed Cable (112), and the Remote Incline Cable (35) to the upper Incline Cable (113).

Before attaching the hardware in Step 5, make sure the cables you just connected don't get pinched in between the steel tubing. If they do, this may cause issues that prevent the treadmill from operating properly.

# 5 ASSEMBLY STEP 5

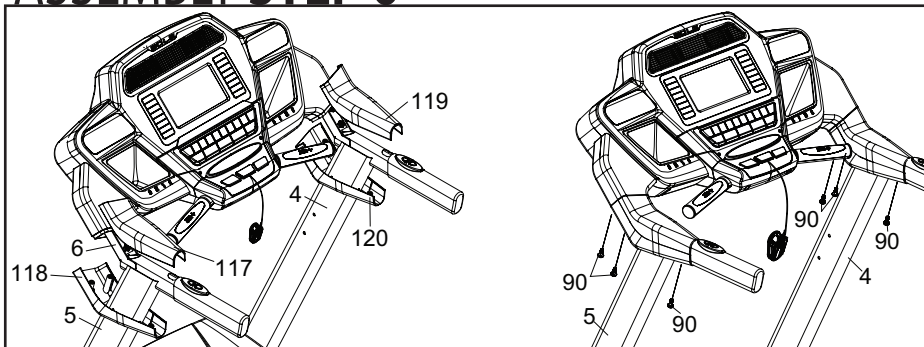


## HARDWARE STEP 5

- #85. 3/8" x 2T Split Washer (4 pcs)
- #125. 3/8" x 1-3/4" Button Head Socket Bolt (4 pcs)

1. Carefully attach the Console Assembly (36) to the top of the upright tubes (5 & 4) with the four Button Head Socket bolts (125) and four Split Washers (85). Make sure the cables don't get pinched between the joint or by the bolts. Tighten the bolts completely using the M6 Allen Wrench (105).

# 6 ASSEMBLY STEP 6

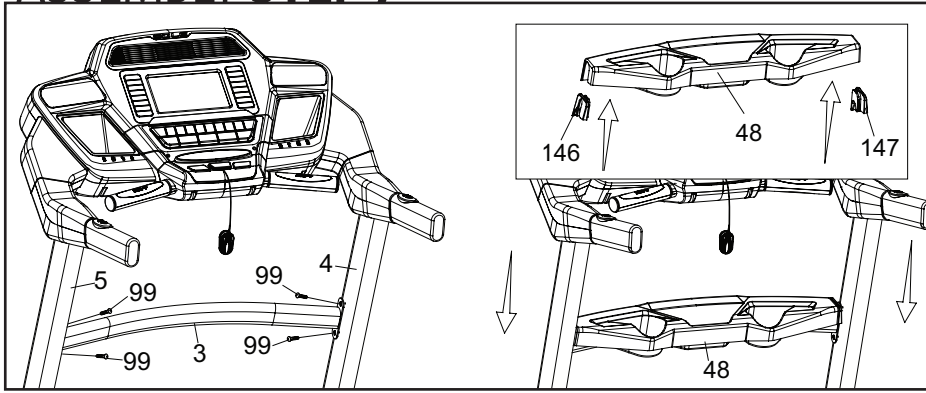


## HARDWARE STEP 6

- #90. 3.5mm x 16mm Sheet Metal Screws (6 pcs)

1. Attach the two halves of each Handrail Cover (117 & 118; 119 & 120) with three Sheet Metal Screws (90) on each set of plastics.

# 7 ASSEMBLY STEP 7

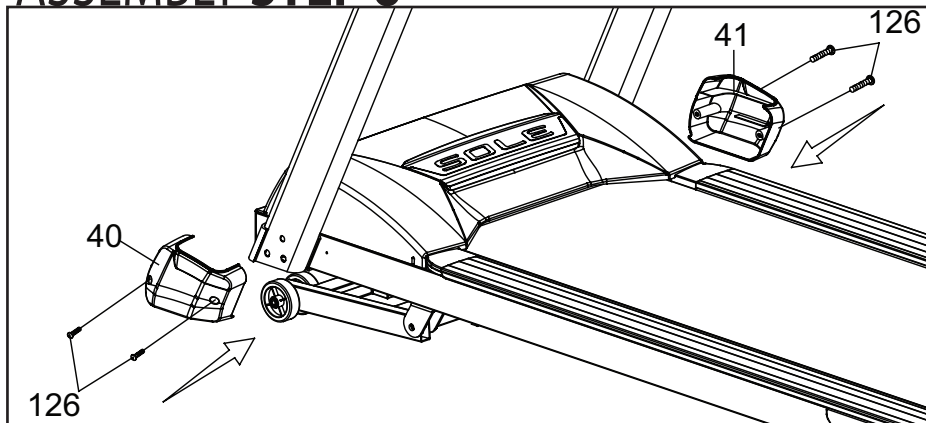


## HARDWARE STEP 7

#99. 5/16" x 3/4"  
Flat Head Socket Bolt  
(4 pcs)

1. Install the Handrail Support (3) between the Upright Tubes (5 & 4) with the four Flat Head Socket bolts (99). Tighten the bolts completely using the Combination M5 Allen Wrench and Phillips Head Screw Driver (104).
2. After affixing the end tabs (146 & 147), slip the Beverage Holder (48) over the Handrail Support (3).
3. Make sure the magnet of the Safety Key (63) is affixed to the console.

# 8 ASSEMBLY STEP 8



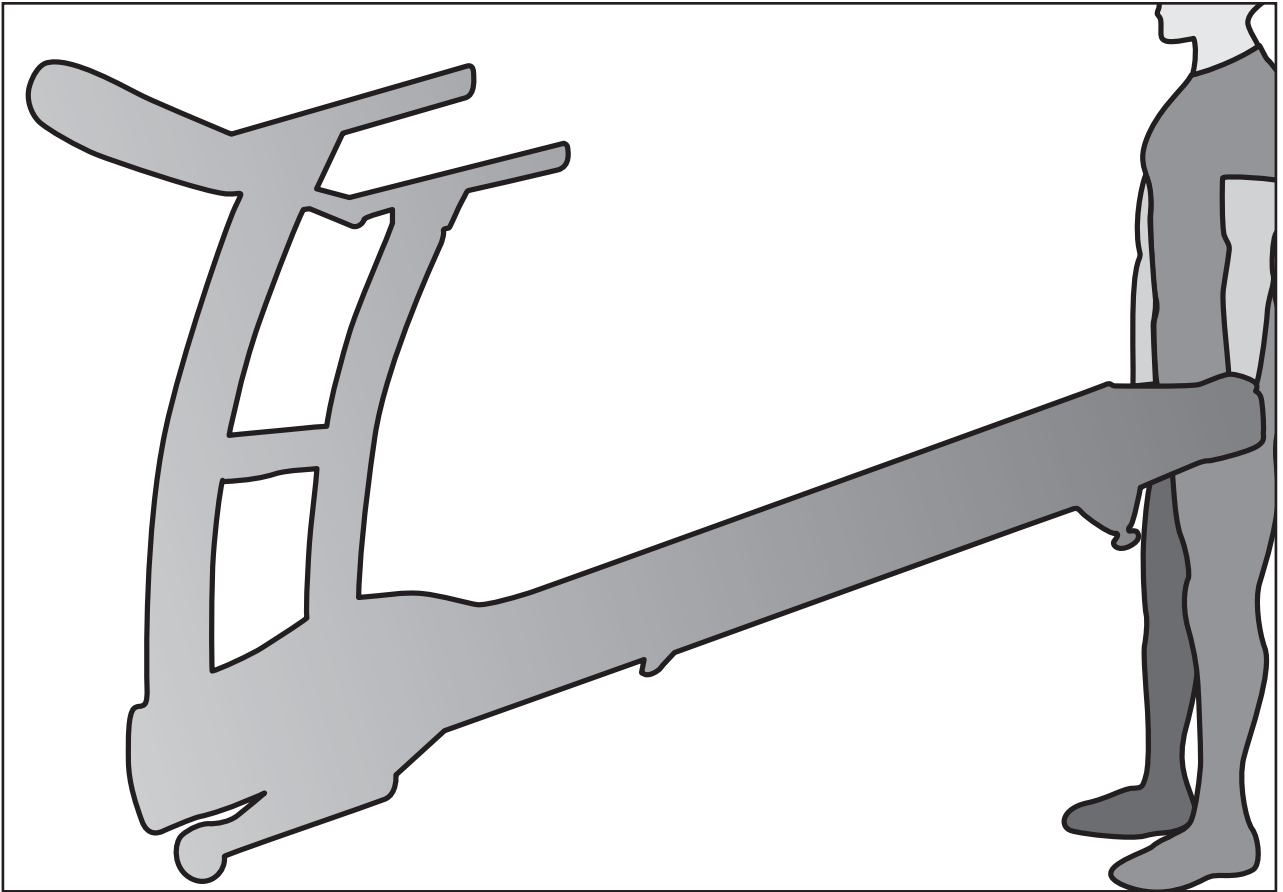
## HARDWARE STEP 8

#126. M5 x 10mm  
Phillips Head Screw  
(4 pcs)

1. Completely tighten the bolts that secure the Console Mast Tubes to the frame with the M6 Allen Wrench (105).
2. Attach the console mast covers (40R & 41L) to each mast (5 & 4) with two Phillips Head Screws (126) on each side. Tighten using the Combination Allen Wrench & Phillips Head Screw Driver (104).

# TRANSPORTATION INSTRUCTIONS

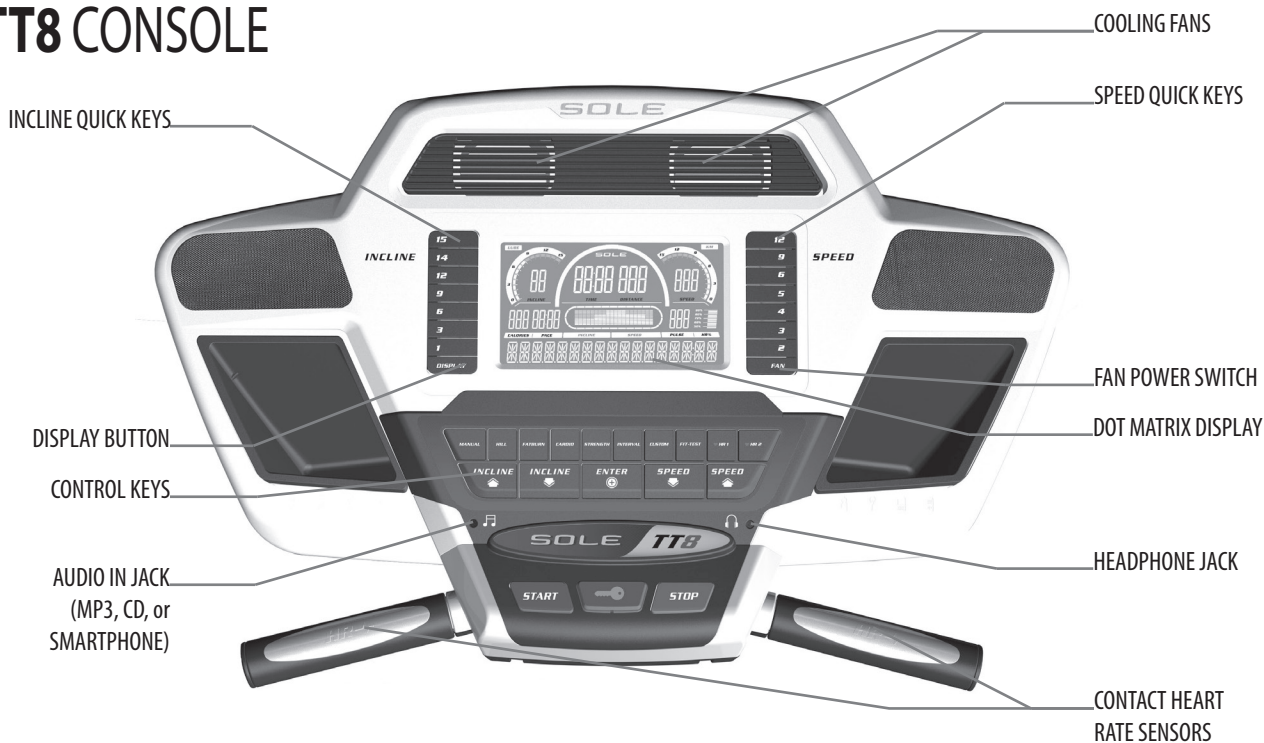
Carefully lift the treadmill at the rear roller area, grasping the two side end caps, and roll the treadmill away.



# OPERATION OF YOUR TREADMILL

## GETTING FAMILIAR WITH THE CONTROL PANEL

### TT8 CONSOLE



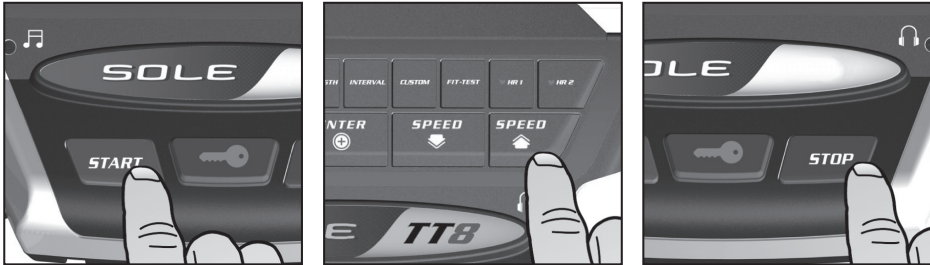
## GETTING STARTED

### TT8 CONSOLE

Power the treadmill on by plugging it into an appropriate wall outlet, then turn on the power switch located at the front of the treadmill below the motor hood. Ensure that the **Safety Key** is installed, as the treadmill will not power on without it (*See Assembly Step 7 for reference*). When the power is turned on, a message will scroll across the dot matrix showing the current software version. Then the **Time** and **Distance** windows will display Odometer readings for a short time, **Time** window will show how many hours the treadmill has been in use and the **Distance** window will show how many miles (or Kilometers if the treadmill is set to metric readings) the treadmill has gone. The current software version will appear in the **Message** window. The treadmill will then enter idle mode, which is the starting point for operation.

# QUICK-START OPERATION

1. Attach the **Safety Key** to wake display up (if not already on).
2. Press the **Start** key to begin belt movement then adjust to the desired speed using the **Speed** ▲/▼ keys. You may also use the **Quick** speed keys 2, 3, 4, 5, 6, 9, or 12 to adjust the speed.
3. To slow tread-belt, press and hold the **Slow** key to the desired speed. You may also press the **Quick** speed adjust keys, 2 through 12.
4. To stop the tread-belt, press the **Stop** key or pull away the **Safety Key**.

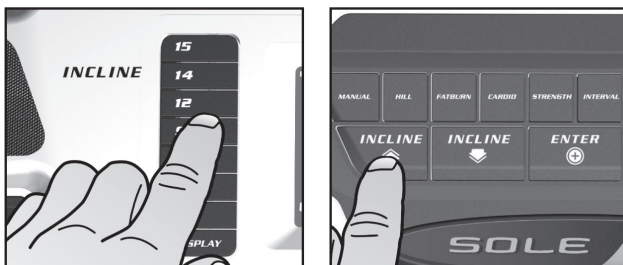


# PAUSE/STOP/RESET FEATURE

1. When the treadmill is running the pause feature may be utilized by pressing the red **Stop** key once. This will slowly decelerate the tread-belt to a stop. The incline will go to zero percent. The **Time**, **Distance** and **Calorie** readings will hold while the unit is in the pause mode. After 5 minutes the display will reset and return to the start up screen.
2. To resume your exercise, when in Pause mode, press the **Start** key. The speed and incline will return to their previous settings.
  - Pause is executed when the **Stop** button is pressed once. If the **Stop** button is pressed a second time, the program will end and a workout summary will be displayed. If the **Stop** button is pressed a third time, the console will return to the idle mode (start up) screen. If the **Stop** button is held down for more than 3 seconds the console will reset.

# INCLINE FEATURE

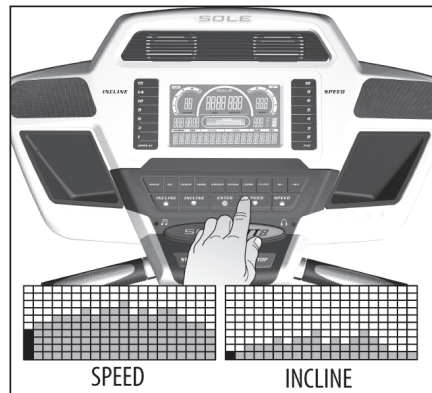
- Incline may be adjusted anytime after belt movement.
- Press and hold the **Incline** ▲/▼ keys to achieve desired level of incline. You may also choose a more rapid increase / decrease by selecting the desired **Quick Incline** key, 1, 3, 6, 9, 12, 14, 15, on left hand side of console (incline).
- The space above the Incline heading on the LCD will indicate deck elevation as adjustments are made.





# DOT MATRIX CENTER DISPLAY

Twenty columns of dots (10 high) indicate each segment (speed or incline) of a workout. They do not necessarily indicate a specific value - only an approximate percent to compare levels of intensity. In Manual Operation the **Speed / Incline** dot matrix window will build a profile "picture" as values are changed during a workout. The 20 columns are divided into 1/20th of the total time of the program. The Dot Matrix window will show the left half of the speed and incline profiles. Once the program begins, the profiles will scroll right to left.



You may change the Dot Matrix profile view by pressing the **Enter** button. After scrolling through the two profiles the Dot Matrix will automatically scroll through the two displays showing each one for five seconds. The icon associated with each profile will light while that view is displayed. Pressing the **Enter** button a third time will alternate the display view between the **Speed** and **Incline** profiles.

## MESSAGE WINDOW DISPLAY

The **Message Window** will initially display **Program Name**. Each time the **Display** button is pressed the next set of information will appear. The order of information displayed will be: **Laps**, **Verticle**, **MET's**, **Segment Time**, **Max Speed** (in mph), and **Data Scan** mode. In **Data Scan** mode, the displayed information will change every 4 seconds in the **Message Window**.

## 1/4 MILE TRACK

The **1/4-Mile Track** (0.4 km) will be displayed around the Speed and Incline profiles. The flashing dot indicates your progress and will advance in a counterclockwise direction.

## CALORIE DISPLAY

Displays the cumulative calories burned at any given time during your workout.

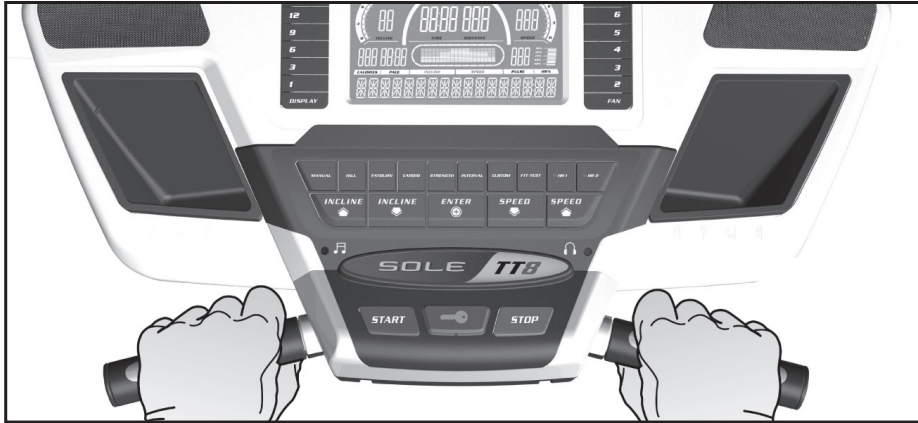
**Note:** *This is only a rough guide used for comparison of different exercise sessions, which cannot be used for medical purposes.*

There is an **Audio Input Jack** (🎵) on the front of the console and built-in speakers. You may plug any low-level audio source signal into this port. Audio sources include MP3, iPod, portable radio, CD player or even a TV or computer audio signal. There is an audio patch cable included to and also a headphone jack (🎧) for private listening.



## PULSE GRIP FEATURE

The **Pulse** (Heart Rate) window will display your current heart rate in beats per minute during the workout. You must use both left and right stainless steel sensors on the front cross bar to pick up your pulse. Pulse values are displayed anytime the computer is receiving a Grip Pulse signal or while wearing an optional chest strap transmitter (see Using the Heart Rate Transmitter section for directions). You may use the Grip Pulse feature while in a Heart Rate Program (**HR1** or **HR2**).



## TURNING OFF TREADMILL

1. The display will automatically turn off – go to sleep - after 30 minutes of inactivity when in the Pause / Stop mode. Almost all power for the treadmill will be off except for some circuits that are needed to detect if any key is pressed, indicating the console should “wake up”. When the console is “asleep” the treadmill draws very little power, about as much as your television when it is turned off.
2. Removing the safety key is similar to entering “sleep” mode. Turning off the main power switch in the front of the treadmill will completely remove any power.
3. To exit the display mode, for normal operation, press and hold the **Stop/Enter/Display** keys for 5 seconds; the display will show **Display Mode - ON**. Use the speed Up key to change the setting to OFF then press **Enter**.

## \*\*ATTENTION\*\*

Your new console comes configured in an in-store ‘display mode’ of operation, where the console will remain powered on unless the main power switch is turned off. To exit the display mode, for normal operation, press and hold the **Stop, Enter** and **Display** keys for 5 seconds; the display will show: Display mode - On. Use the **Up** arrow or **Fast** key to change the setting to Off then press **Enter**.

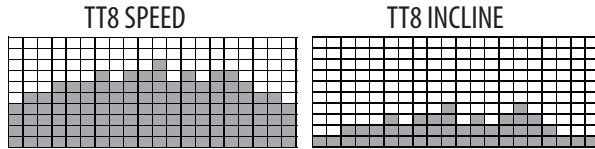
# PROGRAMMABLE FEATURES

The TT8 has ten built-in programs: one Manual program, five preset profiles, one Custom, one Fit Test, and two Heart Rate programs (**HR1** & **HR2**).

## PRESET PROGRAMS

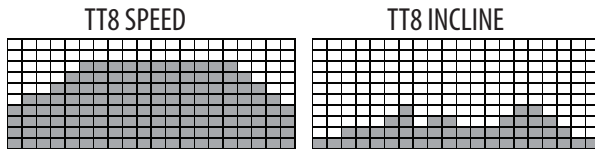
### Hill

The **Hill** program simulates going up and down a hill. The speed will steadily increase and then decrease during the program.



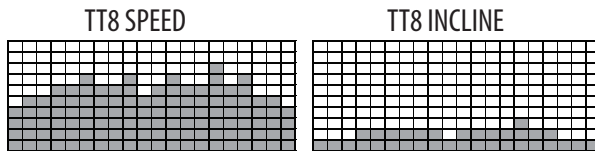
### Fat Burn

The **Fat Burn** program is designed, as the name implies, to maximize the burning of fat. There are many schools of thought on the best way to burn fat but most experts agree that a lower exertion level that stays at a steady workload is the best. The absolute best way to burn fat is to keep your heart rate at around 60% to 70% of its maximum potential. This program does not use heart rate but simulates a lower, steady exertion workout.



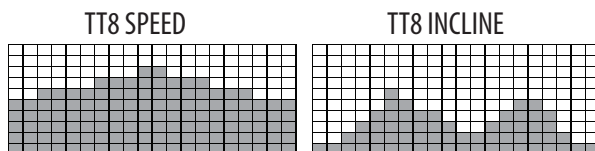
### Cardio

The **Cardio** program is designed to increase your cardiovascular function and endurance. This is exercise for your heart and lungs. It will build up your heart muscle and increase blood flow and lung capacity. This is achieved by incorporating a higher level of exertion with slight fluctuations in work.



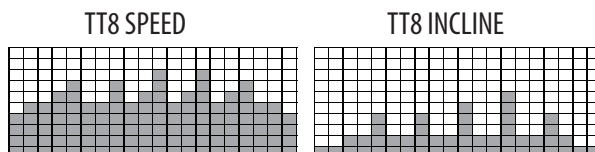
### Strength

The **Strength** program is designed to increase muscular strength in your lower body. This program will steadily increase in speed to a high level and forces you to sustain it. This is designed to strengthen and tone your legs and glutes (muscles of the butt).



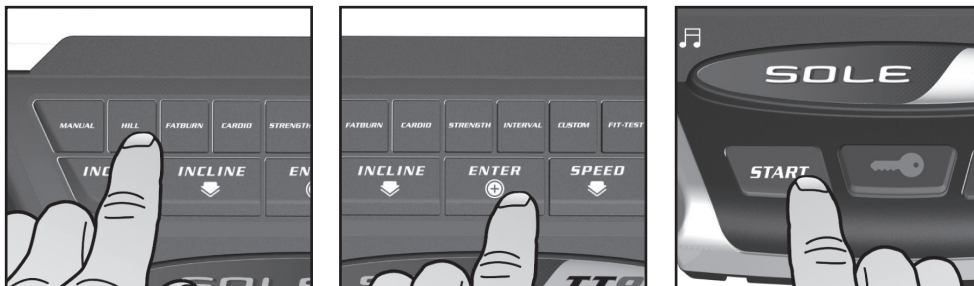
### Interval

The **Interval** program takes you through high levels of intensity followed by periods of low intensity. This program increases your endurance by depleting your oxygen level followed by periods of recovery to replenish oxygen. Your cardiovascular system gets programmed to use oxygen more efficiently this way. This program also forces your body to become more efficient due to spikes in heart rate, between recovery periods. This aids in heart rate recovery from intense activities.

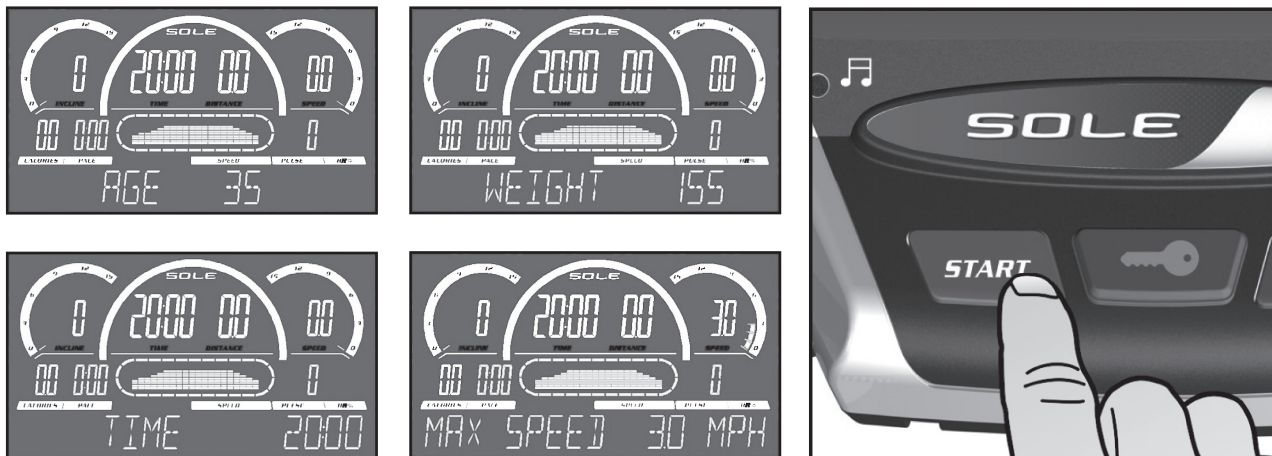


## SELECTING A PROGRAM

1. Press the desired program from the 10 available program keys. Then press the **Enter** key to begin customizing the program with your personal data, or just press the **Start** key to begin the program with the default settings.



2. The **Message** window will now be showing a value, indicating your **Age**. Entering your correct age affects the heart rate **Bar Graph Display** and the **Heart Rate** programs. Use the **Up/Down** keys to adjust, and then press **Enter**. Your age determines the maximum heart rate you may achieve. Since the **Bar Graph Display** and the **Heart Rate** features are based on a percentage of your maximum heart rate, it is important to enter the correct age for these features to work properly.
3. The **Message** window will now be showing a value, indicating your **Body Weight**. Entering the correct body weight will affect the **Calorie** count. Use the **Up/Down** keys to adjust, and then press **Enter**. *\*A note about the **Calorie** display: No exercise machine can give you an exact calorie count because there are too many factors which determine exact calorie burn for a particular person. Even if someone is the exact same body weight, age and height, their calorie burn may be very different than yours. The **Calorie** display is to be used as a reference only to monitor improvement from workout to workout.*
4. After selecting a program and pressing **Enter** to set your personal data, the **Time** window will show the default value of 20 minutes. Use the **Up/Down** keys to adjust, then press **Enter**.
5. The **Message** window will now be blinking, showing the preset top speed of the selected program. Use the **Up/Down** keys to adjust, and then press **Enter**. Each program has various speed changes throughout; this allows you to limit the highest speed the program will attain during your workout.
6. Press **Start** to begin or **Enter** to modify your settings.

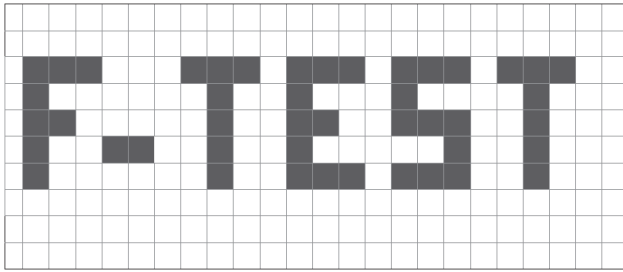


## CUSTOM PROGRAM

1. Select **Custom** on the **Program** keypad, then press **Enter**. Note that the dot matrix display portion will light a single row of dots at the bottom (Unless there is a previously saved program). If there is a program stored under the button that is pressed, it will be retrieved. If not, you have the option of programming in your first name. The **Message** window will display and flash the letter "A". To change it, press the arrow **▲** key, then "B" will be displayed; if the arrow **▼** key is pressed, the letter "Z" will be displayed. After selecting the appropriate letter, press **Enter**. The letter "A" will again be displayed and blinking. Repeat the procedure until all letters of your first name are programmed (7 characters maximum). When your name is displayed, press **Stop** and it will be stored under **Custom**.
2. The **Message** window will now show an **Age** value. Adjust the age with the **Up/Down** keys and press **Enter**.
3. The **Message** window will show a bodyweight value. Adjust the number with the **Up/Down** keys to your bodyweight value and press **Enter**.
4. The **Time** window will be flashing. Use the **Up/Down** adjustment keys to set the program for the desired time. Press the **Enter** key. This is a must to continue even if the time is not adjusted.
5. The first speed setting column (segment) will now be blinking. Using the **Fast/Slow** keys, adjust the speed to your desired effort level for the first segment then press **Enter**. The second column will now be blinking. Note that the previous segment value has been carried over to the new segment. Repeat the above process until all speed segments have been programmed.  
**Note:** While in a User program, if you manually change the speed, all segment speeds from there on will also change.  
**Examples:** If you increase your current speed 1 mph, the remaining segment speeds will increase by 1 mph. If you decrease your current speed .5 mph, the remaining segment speeds will decrease by .5 mph, etc.
6. The first column will be blinking again. The console is now ready for the incline settings. Repeat the same process used to set the speed values for programming the segments for incline.
7. Press the **Start** button to begin the workout and also save the program to memory.

## Fit Test Program

The fit test program is designed to determine your estimated VO2 max or how well your body utilizes oxygen. The test follows a progression in both speed and elevation and lasts a maximum of 11 minutes. If your actual heart rate reaches 85% of projected maximum before the end of the test, the program will end and your score will be based on the stage you ended at. The higher your estimated VO2, the more fit you are.



1. When the Fit Test button is pressed, the Message Window will display GERKIN PROTOCOL PRESS ENTER TO BEGIN
2. The Message Window will now be showing a value, indicating your Age. Use the **Up/Down** keys to adjust, and then press **Enter**.
3. The Message Window will now be showing a value, indicating your Body Weight. Use the **Up/Down** keys to adjust, and then press **Enter**.
4. The Message Window will display PRESS START TO BEGIN OR ENTER TO MODIFY
5. The test starts with a three minute warm-up. Speed will be set at 3 mph, grade at 0%. The Message Window will display 3 MINUTE WARM-UP And alternate every 5 seconds with actual HR888 & Target Heart Rate. The time window will start at three minutes and count down to zero. All other data windows will accrue.
6. The speed and incline will follow the changes shown in the chart to the right.
7. When the user reaches the target the test will continue for 15 seconds. A cool down period will start. The incline will be set to 0 percent. The speed will be 3.0 MPH. The cool down time will be based on the total time to complete the test. If the test took 5 min. or less, then the cool down is 1 minute. If the test took between 5 min. to 12 min., the cool down will be 3 minutes. The Message Window will display for 5 seconds: 1 (or 3 min) MIN COOL DOWN and alternate every 5 seconds with YOUR SCORE. The time window will start at 1 (or 3 min) minute and count down to zero.
8. The score is taken from the table based on the final stage completed. After the cool down the Message Window will display TEST OVER PRESS STOP TO END OR ENTER TO SEE SCORE. If no button is pressed for 20 seconds, the screen goes to the idle mode. If **Enter** is pressed, the score will be displayed for 10 seconds then go to TEST OVER.... Message.

Stage	Time	Speed	Grade	VO2 Max
1	0 to 1:00	4.5mph	0%	31.15
2.1	1:15	4.5mph	2%	32.55
2.2	1:30	4.5mph	2%	33.6
2.3	1:45	4.5mph	2%	34.65
2.4	2:00	4.5mph	2%	35.35
3.1	2:15	5.0mph	2%	37.45
3.2	2:30	5.0mph	2%	39.55
3.3	2:45	5.0mph	2%	41.3
3.4	3:00	5.0mph	2%	43.4
4.1	3:15	5.0mph	4%	44.1
4.2	3:30	5.0mph	4%	45.15
4.3	3:45	5.0mph	4%	46.2
4.4	4:00	5.0mph	4%	46.5
5.1	4:15	5.5mph	4%	48.6
5.2	4:30	5.5mph	4%	50
5.3	4:45	5.5mph	4%	51.4
5.4	5:00	5.5mph	4%	52.8
6.1	5:15	5.5mph	6%	53.9
6.2	5:30	5.5mph	6%	54.9
6.3	5:45	5.5mph	6%	56
6.4	6:00	5.5mph	6%	57
7.1	6:15	6.0mph	6%	57.7
7.2	6:30	6.0mph	6%	58.8
7.3	6:45	6.0mph	6%	60.2
7.4	7:00	6.0mph	6%	61.2
8.1	7:15	6.0mph	8%	62.3
8.2	7:30	6.0mph	8%	63.3
8.3	7:45	6.0mph	8%	64
8.4	8:00	6.0mph	8%	65
9.1	8:15	6.5mph	8%	66.5
9.2	8:30	6.5mph	8%	68.2
9.3	8:45	6.5mph	8%	69
9.4	9:00	6.5mph	8%	70.7
10.1	9:15	6.5mph	10%	72.1
10.2	9:30	6.5mph	10%	73.1
10.3	9:45	6.5mph	10%	73.8
10.4	10:00	6.5mph	10%	74.9
11.1	10:15	7.0mph	10%	76.3
11.2	10:30	7.0mph	10%	77.7
11.3	10:45	7.0mph	10%	79.1
11.4	11:00	7.0mph	10%	80

What your score means:

VO2max Chart for males and very fit females

	18-25 years old	26-35 years old	36-45 years old	46-55 years old	56-65 years old	65+ years old
excellent	>60	>56	>51	>45	>41	>37
good	52-60	49-56	43-51	39-45	36-41	33-37
above average	47-51	43-48	39-42	35-38	32-35	29-32
average	42-46	40-42	35-38	32-35	30-31	26-28
below average	37-41	35-39	31-34	29-31	26-29	22-25
poor	30-36	30-34	26-30	25-28	22-25	20-21
very poor	<30	<30	<26	<25	<22	<20

VO2max Chart for females and de-conditioned males

	18-25 years old	26-35 years old	36-45 years old	46-55 years old	56-65 years old	65+ years old
excellent	56	52	45	40	37	32
good	47-56	45-52	38-45	34-40	32-37	28-32
above average	42-46	39-44	34-37	31-33	28-31	25-27
average	38-41	35-38	31-33	28-30	25-27	22-24
below average	33-37	31-34	27-30	25-27	22-24	19-22
poor	28-32	26-30	22-26	20-24	18-21	17-18
very poor	<28	<26	<22	<20	<18	<17



# HEART RATE PROGRAMS

## Before we get started, a word about Heart Rate:

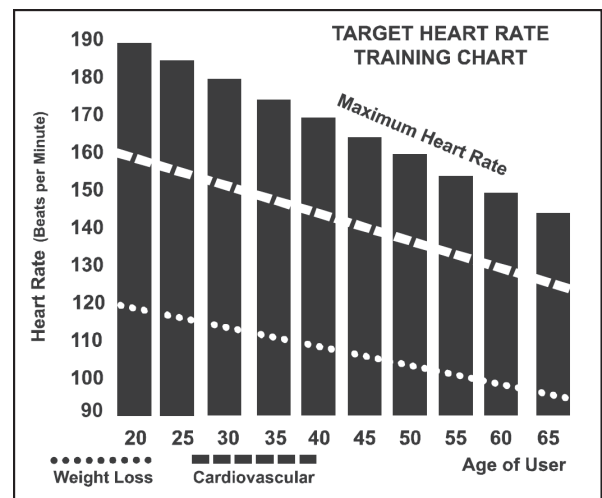
The old motto, “no pain, no gain”, is a myth that has been overpowered by the benefits of exercising comfortably. A great deal of this success has been promoted by the use of heart rate monitors. With the proper use of a heart rate monitor, many people find that their usual choice of exercise intensity was either too high or too low and exercise is much more enjoyable by maintaining their heart rate in the desired benefit range.

To determine the benefit range in which you wish to train, you must first determine your Maximum Heart Rate. This can be accomplished by using the following formula: 220 minus your age. This will give you the Maximum Heart Rate (MHR) for someone of your age. To determine the effective heart rate range for specific goals you simply calculate a percentage your MHR. Your Heart rate training zone is 50% to 90% of your maximum heart rate. 60% of your MHR is the zone that burns fat while 80% is for strengthening the cardio vascular system. This 60% to 80% is the zone to stay in for maximum benefit.

For someone who is 40 years old their target heart rate zone is calculated:

$$\begin{aligned} 220 - 40 &= 180 \text{ (maximum heart rate)} \\ 180 \times .6 &= 108 \text{ beats per minute} \\ &\text{(60\% of maximum)} \\ 180 \times .8 &= 144 \text{ beats per minute} \\ &\text{(80\% of maximum)} \end{aligned}$$

So for a 40 year old the training zone would be 108 to 144 beats per minute.



If you Enter your age during programming the console will perform this calculation automatically. Entering your age is used for the Heart Rate programs. After calculating your MHR you can decide upon which goal you would like to pursue.

The two most popular reasons for, or goals, of exercise are cardiovascular fitness (training for the heart and lungs) and weight control. The black columns on the chart above represent the MHR for a person whose age is listed at the bottom of each column. The training heart rate, for either cardiovascular fitness or weight loss, is represented by two different lines that cut diagonally through the chart. A definition of the lines' goal is in the bottom left-hand corner of the chart. If your goal is cardiovascular fitness or if it is weight loss, it can be achieved by training at 80% or 60%, respectively, of your MHR on a schedule approved by your physician. Consult your physician before participating in any exercise program.

With all SOLE treadmills you may use the heart rate monitor feature without using the Heart Rate program. This function can be used during manual mode or during any of the nine different programs.

## **RATE OF PERCEIVED EXERTION**

Heart rate is important but listening to your body also has a lot of advantages. There are more variables involved in how hard you should workout than just heart rate. Your stress level, physical health, emotional health, temperature, humidity, the time of day, the last time you ate and what you ate, all contribute to the intensity at which you should workout. If you listen to your body, it will tell you all of these things.

The rate of perceived exertion (RPE), also know as the Borg scale, was developed by Swedish physiologist G.A.V. Borg. This scale rates exercise intensity from 6 to 20 depending upon how you feel or the perception of your effort.

The scale is as follows:

### Rating Perception of Effort

- 6 Minimal
- 7 Very,very light
- 8 Very,very light +
- 9 Very light
- 10 Very light +
- 11 Fairly light
- 12 Comfortable
- 13 Somewhat hard
- 14 Somewhat hard +
- 15 Hard
- 16 Hard +
- 17 Very hard
- 18 Very hard +
- 19 Very,very hard
- 20 Maximal

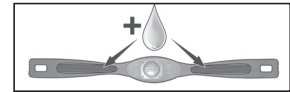
You can get an approximate heart rate level for each rating by simply adding a zero to each rating. For example a rating of 12 will result in an approximate heart rate of 120 beats per minute. Your RPE will vary depending up the factors discussed earlier. That is the major benefit of this type of training. If your body is strong and rested, you will feel strong and your pace will feel easier. When your body is in this condition, you are able to train harder and the RPE will support this. If you are feeling tired and sluggish, it is because your body needs a break. In this condition, your pace will feel harder. Again, this will show up in your RPE and you will train at the proper level for that day.



# USING HEART RATE TRANSMITTER (NOT INCLUDED)

How to wear your wireless chest strap transmitter:

1. Attach the transmitter to the elastic strap using the locking parts.
2. Adjust the strap as tightly as possible as long as the strap is not too tight to remain comfortable.
3. Position the transmitter with the logo centered in the middle of your body facing away from your chest (some people must position the transmitter slightly left of center). Attach the final end of the elastic strap by inserting the round end and, using the locking parts, secure the transmitter and strap around your chest.
4. Position the transmitter immediately below the pectoral muscles.
5. Sweat is the best conductor to measure very minute heart beat electrical signals. However, plain water can also be used to pre-wet the electrodes (2 ribbed oval areas on the reverse side of the belt and both sides of the transmitter). It's also recommended that you wear the transmitter strap a few minutes before your work out. Some users, because of body chemistry, have a more difficult time in achieving a strong, steady signal at the beginning. After "warming up", this problem lessens. As noted, wearing clothing over the transmitter/strap doesn't affect performance.
6. Your workout must be within range - distance between transmitter/receiver – to achieve a strong steady signal. The length of range may vary somewhat but generally stay close enough to the console to maintain good, strong, reliable readings. Wearing the transmitter immediately against bare skin assures you of proper operation. If you wish, you may wear the transmitter over a shirt. To do so, moisten the areas of the shirt that the electrodes will rest upon.



**Note:** The transmitter is automatically activated when it detects activity from the user's heart. Additionally, it automatically deactivates when it does not receive any activity. Although the transmitter is water resistant, moisture can have the effect of creating false signals, so you should take precautions to completely dry the transmitter after use to prolong battery life (estimated transmitter battery life is 2500 hours). The replacement battery is Panasonic CR2032.

## ERRATIC OPERATION

**Caution!** Do not use this treadmill for a Heart Rate Program unless a steady, solid Actual Heart Rate value is being displayed. High, wild, random numbers being displayed indicate a problem.

Areas to look for interference which may cause erratic heart rate:

1. Microwave ovens, TV's, small appliances, etc.
2. Fluorescent lights.
3. Some household security systems.
4. Perimeter fence for a pet.
5. Some people have problems with the transmitter picking up a signal from their skin. If you have problems try wearing the transmitter upside down. Normally the transmitter will be oriented so the logo is right side up.
6. The antenna that picks up your heart rate is very sensitive. If there is an outside noise source, turning the whole machine 90 degrees may de-tune the interference.
7. Loose treadmill console or bolts in the upright tube.
8. Another Individual wearing a transmitter within 3' of your machine's console.

If you continue to experience problems contact your dealer.

**WARNING! - DO NOT USE THE HEART RATE PROGRAM IF YOUR HEART RATE IS NOT REGISTERING PROPERLY ON THE TREADMILL'S DISPLAY!**

## HEART RATE PROGRAMMING

### CAUTION!

You may use either the pulse grip sensors or a wireless heart rate chest strap (sold separately) for either heart rate program. You must receive a strong/steady value in the heart rate window (See Using Heart Rate Transmitter section for instructions on how to use).

The **HR1** program has a default level that is 60% of your projected heart rate maximum. This program is geared for individuals with fat loss as a goal. The **HR2** program has a default of 80% of your projected heart rate maximum. It is geared for individuals with a goal of improving cardiovascular & lung function.

1. Select **HR1** or **HR2** via the **Program** keys then press **Enter**.
2. The **Message** window will now be blinking showing user's age. Adjust and press **Enter** or press **Enter** to accept the default value. Adjusting **Age** will change the Target HR value.
3. The **Message** window will be blinking, showing the default user's bodyweight for this program. You may adjust it and press **Enter** if you want or just press **Enter** to accept the default value.
4. Now you are asked to adjust the **HR1** or **HR2** value. The default is 60% (**HR1**);  $(220 - \text{age} \times .60)$ ; or 80% (**HR2**);  $(220 - \text{age} \times .80)$ . You may select a higher or lower number also. Adjust the number by pressing the Speed **Up** or **Down** keys and press **Enter** to continue.
5. The **Time** window will now be blinking. Adjust the time and press **Enter**.
6. Now you are finished editing the settings and can begin your workout by pressing the **Start** key. You can also go back and modify your settings by pressing the **Stop** key to go back one level, or screen.
7. If you want to increase or decrease the speed at any time during the program press the **Fast** or **Slow** keys.
8. During the HR program you will be able to scroll through the data in the message window by pressing the **Display** key. When the program ends the message window will show a summary of your workout. The summary will be displayed for a short time then the console will return to the start-up display.
9. Press **Start** to begin program.

The program will now control the treadmill Incline to steadily increase your heart rate to the target value. This process is automatic and could take upwards of five minutes, depending on how far your HR needs to go and what kind of physical shape you are in. People who are more fit will take longer to reach the target. You can make manual adjustments to the speed throughout the program. The message window will give you prompts on reducing or increasing speed, depending on where your heart rate is in relation to the selected heart rate %.

# GENERAL MAINTENANCE

## BELT & DECK

Your treadmill uses a very high-efficient low-friction deck. Performance is maximized when the deck is kept as clean as possible. Use a soft, damp cloth, or paper towel, wipe the edge of the belt and the area between the belt edge and the frame. Also reach as far as practical directly under the belt edge. This should be done once a month to extend belt and bed life. A mild soap and water solution along with a nylon scrub brush will clean the top of the textured belt. **Allow to dry before using.**

## BELT DUST

This occurs during normal break-in or until the belt stabilizes. Sometimes the black dust from the belt will appear on the floor behind the treadmill, this is normal.

## GENERAL CLEANING

Dirt, dust, and pet hair can block air inlets and accumulate on the running belt. Please vacuum underneath your treadmill on a monthly basis to prevent excess build-up of dirt that can get sucked up and get into the inner workings under the motor cover. Once a year, you should remove the black motor hood and vacuum out dirt that may accumulate. **UNPLUG POWER CORD BEFORE THIS TASK.**

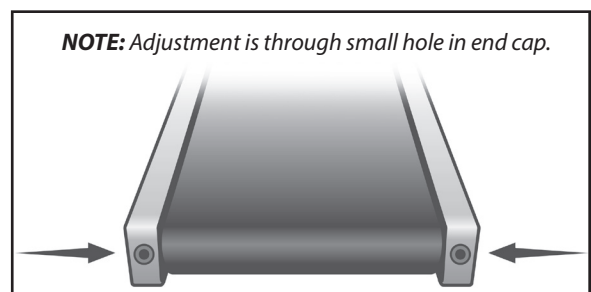
# BELT ADJUSTMENTS

Tread-belt Tension Adjustment - Belt tension is not critical for most users. It is very important though for joggers and runners in order to provide a smooth, steady running surface.

Adjustment must be made from the rear roller with the 6 mm Allen wrench (**105**) provided in the parts package. The adjustment bolts are located at the end of the step rails as shown in the diagram below. Note: Adjustment is through small hole in end cap. Tracking / Tension Adjustment Tracking / Tension Adjustment

Tighten the rear roller only enough to prevent slippage at the front roller. Turn the tread-belt tension adjusting bolts 1/4 turn each and inspect for proper tension by walking on the belt and making sure it is not slipping or hesitating with each step. When an adjustment is made to the belt tension, you must be sure to turn the bolts on both sides evenly or the belt could start tracking to one side instead of running in the middle of the deck.

**DO NOT OVERTIGHTEN** – Over tightening will cause belt damage and premature bearing failure. If you tighten the belt a lot and it still slips, the problem could actually be the drive belt - located under the motor cover - that connects the motor to the front roller. If that belt is loose it feels similar to the walking belt being loose. Tightening the motor belt should be done by a trained service person.

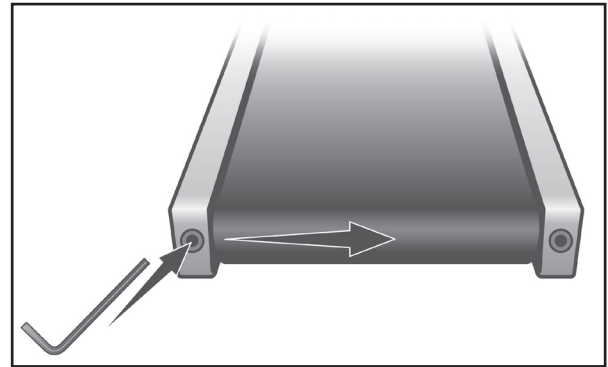


# TREAD-BELT TRACKING ADJUSTMENT

The treadmill is designed so that the tread-belt remains reasonably centered while in use. It is normal for some belts to drift near one side while in use, depending on a user's gait and if they favor one leg. But if during use the belt continues to move toward one side, adjustments are necessary.

## SETTING TREAD-BELT TRACKING

A 6 mm Allen wrench (**105**) is provided for this adjustment. Make tracking adjustments on the left side bolt. Set belt speed at 3 mph. Be aware that a small adjustment can make a dramatic difference which may not be apparent right away. If the belt is **too close to the left side**, then turn the bolt only a 1/4 turn to the right (clockwise) and wait a few minutes for the belt to adjust itself.



Continue to make 1/4 turns until the belt stabilizes in the center of the running deck.

If the belt is **too close to the right side**, turn the bolt counter-clockwise. The belt may require periodic tracking adjustment depending on use and walking/running characteristics. Some users may affect tracking differently. Expect to make adjustments as required to center the tread-belt. Adjustments will become less of a maintenance concern as the belt is used. Proper belt tracking is an owner responsibility common with all treadmills.

## ATTENTION:

**DAMAGE TO THE RUNNING BELT RESULTING FROM IMPROPER TRACKING / TENSION ADJUSTMENTS IS NOT COVERED UNDER THE SOLE WARRANTY.**

## DECK MAINTENANCE

The deck has a wax coating that generally withstands up to 20,000 miles of use on the original side. If either of these two scenarios continues to occur: belt stops very quickly after the safety key is dislodged or the 15 amp fuse continues to blow, you may have an issue with the wax between the belt and the deck. Follow this procedure in order:

1. Clean under the belt as described above under General Maintenance
2. Check the belt to make sure the tension isn't too tight; adjust as necessary
3. Call your service provider to have the deck flipped if it is on the original side. The other side will have a fresh wax coating.

# SERVICE CHECKLIST - DIAGNOSIS GUIDE

Before contacting your dealer for aid, please review the following information. It may save you both time and expense. This list includes common problems that may not be covered under the treadmill's warranty.

PROBLEM	SOLUTION/CAUSE
<b>Display does not light</b>	<ol style="list-style-type: none"> <li>1. Safety key not in position.</li> <li>2. Circuit breaker on front grill tripped. Push circuit breaker in until it locks.</li> <li>3. Plug is disconnected. Make sure plug is firmly pushed into an AC wall outlet.</li> <li>4. Facility or Home circuit breaker may be tripped.</li> <li>5. Treadmill defect. Contact your SOLE dealer.</li> </ol>
<b>Tread-belt does not stay centered Treadmill belt hesitates when walked/run on</b>	<p>The user may be walking while favoring or putting more weight on either the left or right foot. If this walking pattern is natural, track the belt slightly off-center to the side opposite from the belt movement. See <b>General Maintenance</b> section on <b>Tread-belt Tension</b>. Adjust as necessary.</p>
<b>Motor is not responsive after pressing Start</b>	<ol style="list-style-type: none"> <li>1. If the belt moves, but stops after a short time and the display shows "LS", run calibration.</li> <li>2. If you press <b>Start</b> and the belt never moves, then the display shows LS, contact service.</li> </ol>
<b>Treadmill will only achieve approximately 7 mph but shows higher speed on display</b>	<p>This indicates motor should be receiving power to operate. Low AC voltage to treadmill. Do not use an extension cord. If an extension cord is required it should be as short as possible and heavy duty 16 gauge minimum. Low facility or household voltage. Contact an electrician or your SOLE dealer. A minimum of 110 volt AC current is required.</p>
<b>Tread-belt stops quickly/suddenly when tether cord is pulled</b>	<p>High belt/deck friction. See <b>General Maintenance</b> section.</p>
<b>Treadmill trips on board 15 amp circuit</b>	<p>High belt/deck friction. See <b>General Maintenance</b></p>
<b>Computer shuts off when console is touched (on a cold day) while walking/running</b>	<p>Treadmill may not be grounded. Static electricity is "crashing" the computer. Refer to <b>Grounding Instructions</b> on page 3.</p>
<b>House circuit breaker trips, but not the treadmill circuit breaker</b>	<p>Need to replace the facility or home breaker with a "High In-rush current" type breaker (see page 3 for details)</p>

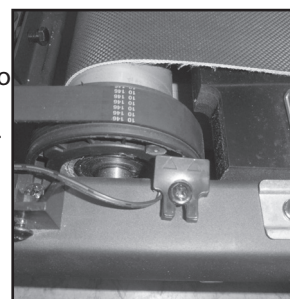
## CALIBRATION PROCEDURE

1. Remove the safety key
2. Press and hold down the **Start** and **Fast** (Speed Up) buttons and replace the safety key. Continue to hold the **Start** and **Fast** key until the window displays "Factory settings", then press the **Enter** key.
3. You will now be able to set the display to show Metric or English settings (Miles vs. Kilometers). To do this, press the **Up/Down** key to show which you want, then press **Enter**.
4. Make sure the wheel size diameter is 3.01 then press **Enter**.
5. Adjust the minimum speed (if needed) to 0.5 and then press **Enter**.
6. Adjust the maximum speed (if needed) to 12.0 and then press **Enter**.
7. Adjust the maximum elevation (if needed) to 15 and then press **Enter**.
8. Grade return – On (This allows the incline to return to zero when **Stop** is pressed. For sale in Europe, EU standards require this to be off).
9. Press **Start** to begin calibration. The process is automatic; the speed will start up without warning, so do not stand on the belt.

## CHECKING THE SPEED SENSOR

If the calibration does not pass you may need to check the speed sensor alignment.

1. Remove the motor cover hood by loosening the 4 screws that hold it in place (you do not need to remove them completely).
2. The speed sensor is located on the left side of the frame, right next to the front roller pulley (the pulley will have a belt around it that also goes to the motor). The speed sensor is small and black with a wire connected to it.
3. Make sure the sensor is as close as possible to the pulley without touching it. You will see a magnet on the face of the pulley; make sure the sensor is aligned with the magnet. There is a screw that holds the sensor in place that needs to be loosened to adjust the sensor. Re-tighten the screw when finished.



## MAINTENANCE MENU

1. Press and hold the **Start**, **Stop** and **Enter** key at the same time, until the display shows "Maintenance Menu". Press the **Enter** key.
2. You can now scroll through the menu using the **Fast/Slow** keys. Use the **Stop** key to return to previous menu selection. The menu selections are:
  - A. **Key Test**
  - B. **Display Test**
  - C. **Functions** - Press **Enter** to access settings, use **Fast/Slow** keys to scroll
    - I. **Display Mode** - Turn Off to have the console power down automatically after 30 minutes of inactivity
    - II. **Pause Mode** - Turned on to allow 5 minutes of pause, turn off to have console pause indefinitely)
    - III. **Maintenance** - Odometer readings
    - IV. **Units** - Choose from English or Metric display readings
    - V. **Key Tone** – Turns beep sound off or on when a button is pressed
  - D. **Security** - Allows you to lock the keypad so no unauthorized use of the machine is allowed. When the child lock is enabled, the console will not allow the keypad to operate unless you press and hold the **Start** and **Enter** buttons for 3 seconds to unlock the console.
  - E. **Exit**

**Before returning your Sole product to any retailer, or if you require any assistance with assembly or technical support please call us first for assistance at 866-697-6531. Thank you for your Sole purchase.**



# MANUFACTURER'S LIMITED WARRANTY

## TREADMILL WARRANTY

Effective August 1, 2012

SOLE warrants all its treadmills' parts, for a period of time listed below, from the date of retail sale, as determined by sale receipt, or in the absence of a receipt eighteen (18) months from the original factory shipping date. SOLE's responsibilities include providing new or remanufactured parts, at SOLE's option, and technical support to our independent dealers and servicing organizations. In the absence of a dealer or service organization, these warranties will be administered by SOLE directly to a consumer. The warranty period applies to the following components:

### RESIDENTIAL

Frame	Lifetime
Drive Motor	5 Years
Parts	5 Years
Labor	2 Years

### LIGHT COMMERCIAL (5 hours or less use per day)

Frame	Lifetime
Drive Motor	5 Years
Parts	3 Years
Labor	1 Year

## NORMAL RESPONSIBILITIES OF THE CONSUMER

This warranty applies only to products in ordinary household use or in a non-dues paying, light commercial facility with 5 hours treadmill use or less per day. The consumer or light commercial facility is responsible for the items listed below:

1. The warranty registration card must be completed and returned to the address listed on the card within 10 days of the original purchase to validate the manufacturer's limited warranty.
2. Proper use of the treadmill in accordance with the instructions provided in this manual, including belt tracking.
3. Proper installation in accordance with instructions provided with the treadmill and with all local electric codes.
4. Proper connection to a grounded power supply of sufficient voltage, replacement of blown fuses, repair of loose connections or defects in house or facility wiring.
5. Expenses for making the treadmill accessible for servicing, including any item that was not part of the treadmill at the time it was shipped from the factory.
6. Damages to the treadmill finish during shipping, installation or following installation.
7. Routine maintenance of this unit as specified in this manual.

## EXCLUSIONS

This warranty does not cover the following:

1. CONSEQUENTIAL, COLLATERAL, OR INCIDENTAL DAMAGES SUCH AS PROPERTY DAMAGE AND INCIDENTAL EXPENSES RESULTING FROM ANY BREACH OF THIS WRITTEN OR ANY IMPLIED WARRANTY.  
*Note: Some states do not allow the exclusion or limitation of incidental or consequential damages, so this limitation or exclusion may not apply to you.*
2. Service call reimbursement to the consumer. Service call reimbursement to the dealer that does not involve malfunction or defects in workmanship or material, for units that are beyond the warranty period, for units that are beyond the service call reimbursement period, for treadmill not requiring component replacement, or treadmill not in ordinary facility or household use.
3. Damages caused by services performed by persons other than authorized SOLE service companies; use of parts other than original SOLE parts; or external causes such as corrosion, discoloration of paint or plastic, alterations, modifications, abuse, misuse, accident, improper maintenance, inadequate power supply, or acts of God.
4. Products with original serial numbers that have been removed or altered.
5. Products that have been: sold, transferred, bartered, or given to a third party.
6. Products that do not have a warranty registration card on file at SOLE. SOLE reserves the right to request proof of purchase if no warranty record exists for the product.
7. THIS WARRANTY IS EXPRESSLY IN LIEU OF ALL OTHER WARRANTIES EXPRESSED OR IMPLIED, INCLUDING THE WARRANTIES OF MERCHANTABILITY AND/OR FITNESS FOR A PARTICULAR PURPOSE.
8. Product used more than 5 hrs per day and/or in a dues paying facility
9. Warranties outside of North America may vary. Please contact your local dealer for details.

## SERVICE

Keep your bill of sale. Twelve (12) months from the date on the bill of sale or eighteen (18) months from the date of factory shipping as determined by the serial number establishes the labor warranty period should service be required. If service is performed, it is in your best interest to obtain and keep all receipts. This written warranty gives you specific legal rights. You may also have other rights that vary from state to state. Service under this warranty must be obtained by following these steps, in order:

1. Contact your selling authorized SOLE dealer. OR
2. Submit all service requests including serial number, contact information and a brief description of the problem online at [www.soletreadmills.com/technical.php?p=service](http://www.soletreadmills.com/technical.php?p=service).
3. If you have any questions about your new product or questions about the warranty contact SOLE Fitness at 1-866-780-SOLE (7653). If you have a technical problem with your new treadmill contact SOLE technical service at 866-MYSOLE1 (697-6531).
4. If no local service is available, SOLE will repair or replace the parts, at SOLE's option, within the warranty period at no charge for parts. All transportation costs, both to our factory and upon return to the owner, are the responsibility of the owner. The owner is responsible for adequate packaging upon return to SOLE. SOLE is not responsible for damages that occur during shipping. Make all freight damage claims with the appropriate freight carrier. DO NOT SHIP ANY UNIT TO OUR FACTORY WITHOUT A RETURN AUTHORIZATION NUMBER. All units arriving without a return authorization number will be refused.
5. For any further information, or to contact our service department by mail, send your correspondence to:

**SOLE Fitness**  
**P.O. Box 2037**  
**Jonesboro, AR 72402-2037**

Product features or specifications as described or illustrated are subject to change without notice. All warranties are made by SOLE.

**SOLE**

**FITNESS**